



Pocono Pool Products

RECTANGLE LINER ORDER FORM

Company Name: _____

Cust. Name/PO#: _____

Address: _____

Hung (Beaded) - Bead Type: _____

City: _____ State: _____ Zip: _____

Overlap - Size of Overlap: _____

Phone: _____ Cell: _____

Liner Over Steps: YES or NO (Attach Step Orderform)

Fax: _____ Contact: _____

Cut-Out Steps: YES or NO (Show Location Below)

Liner Pattern: Tile/Wall: _____ (20 or 28 mil) Floor: _____ (20 or 28 mil)

CORNERS
(POOL WALL - NOT COPING)

SQUARE **DIAGONAL** **RADIUS**

D₁ or R = _____

STYLE OF BOTTOM

STANDARD HOPPER

LEDGE HOPPER

WEDGE

SPORT BOTTOM

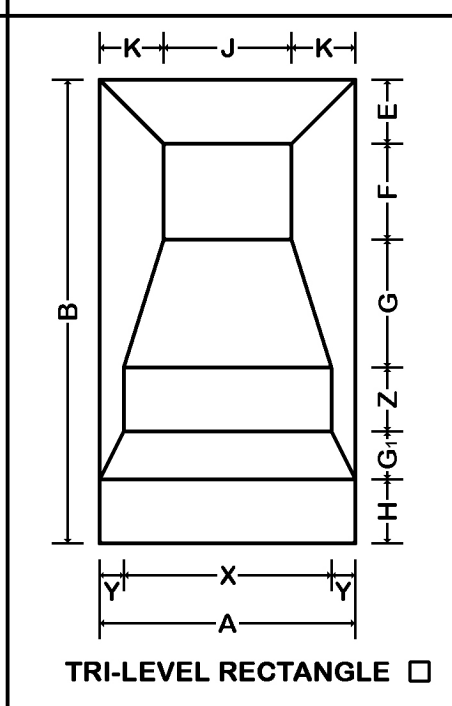
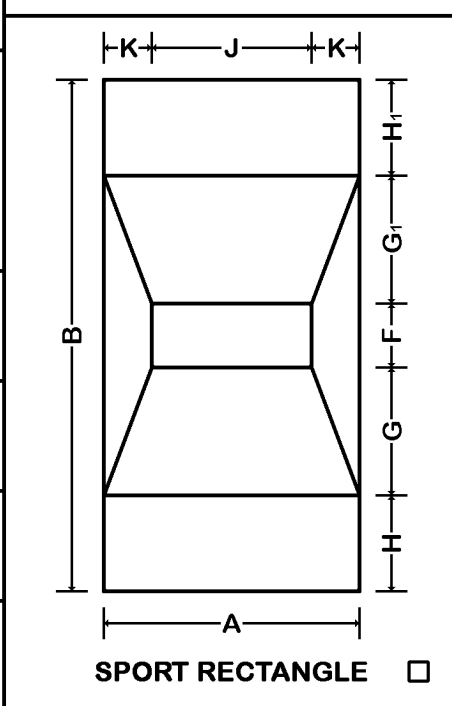
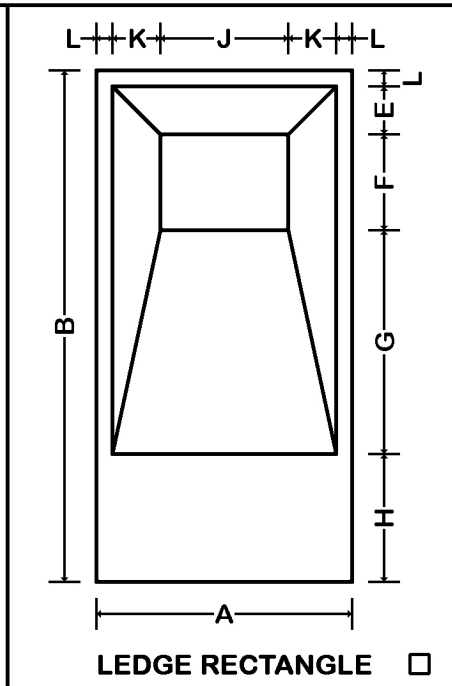
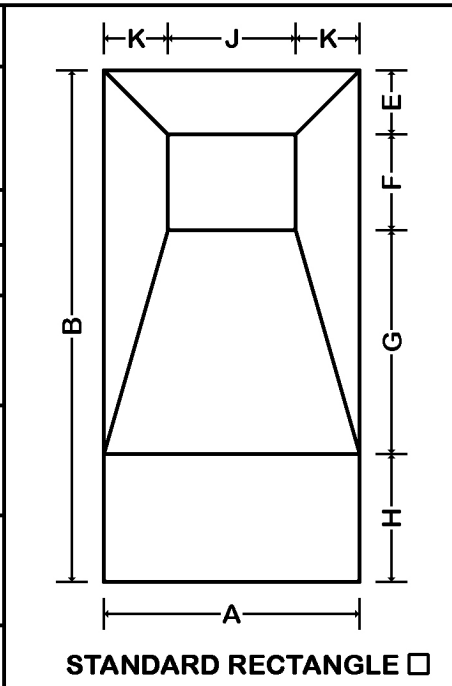
TRI-LEVEL HOPPER

STRAIGHT SLOPE

MODIFIED SLOPE

FLAT BOTTOM

MODIFIED FLAT BOTTOM



A
B
C
D
E
F
G
H
J
K
L
A ₁
A ₂
B ₁
B ₂
C ₁
C ₂
G ₁
H ₁
M
N
P
Q
S
T
W
X
Y
Z
DW
EW
SW